



# MAXIM

## WCDMA Cellular Phone 600mA Buck Regulators

MAX1820/MAX1821

### General Description

The MAX1820/MAX1821 low-dropout, pulse-width-modulated (PWM) DC-DC buck regulators are optimized to provide power to the power amplifier (PA) in WCDMA cell phones; however, they may be applied in many other applications where high efficiency is a priority. The supply voltage range is from 2.6V to 5.5V, and the guaranteed output current is 600mA; 1MHz PWM switching allows for small external components, while skip mode reduces quiescent current to 180 $\mu$ A with light loads.

The MAX1820 is dynamically controlled to provide varying output voltages from 0.4V to 3.4V. The circuit is designed such that the output voltage settles in <30 $\mu$ s for a full-scale change in voltage and current. The MAX1821 is set with external resistors to provide any fixed output voltage in the 1.25V to 5.5V range.

The MAX1820/MAX1821 include a low on-resistance internal MOSFET switch and synchronous rectifier to maximize efficiency and minimize external component count; 100% duty-cycle operation allows for low dropout of only 150mV at 600mA load, including the external inductor resistance. The devices are offered in 10-pin  $\mu$ MAX<sup>®</sup> and tiny 3  $\times$  4 chip-scale (UCSP<sup>™</sup>) packages.

### Applications

WCDMA Cell Phone Power Amplifiers  
PDA, Palmtop, and Notebook Computers  
Microprocessor Core Supplies  
Digital Cameras  
PCMCIA and Network Cards  
Hand-Held Instruments

**Typical Operating Circuits continued at end of data sheet.**

**Ordering Information continued at end of data sheet.**

**Pin Configurations appear at end of data sheet.**

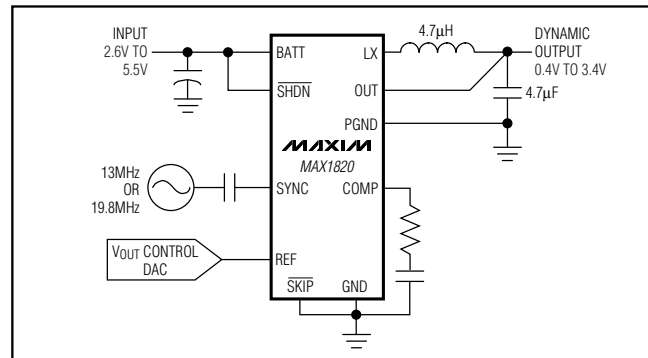
UCSP is a trademark of Maxim Integrated Products, Inc.

$\mu$ MAX is a registered trademark of Maxim Integrated Products, Inc.

### Features

- ◆ Dynamically Adjustable Output from 0.4V to 3.4V (MAX1820)
- ◆ Programmable Output from 1.25V to 5.5V (MAX1821)
- ◆ SYNC to 13MHz External Clock (MAX1820X)
- ◆ SYNC to 19.8MHz External Clock (MAX1820Y)
- ◆ NO SYNC, Internal 1MHz Oscillator (MAX1820Z)
- ◆ Low Quiescent Current
  - 180 $\mu$ A (typ) in Skip Mode
  - 0.1 $\mu$ A (typ) in Shutdown Mode
- ◆ No External Schottky Diode Required
- ◆ 600mA Guaranteed Output Current
- ◆ 0% to 100% Duty-Cycle Operation
- ◆ 150mV Dropout at 600mA Load (Including R<sub>DC</sub> of External Inductor)
- ◆  $\mu$ MAX or UCSP Packaging

### Typical Operating Circuits



### Ordering Information

| PART         | SYNC FREQ (MHz) | OUTPUT VOLTAGE | TEMP RANGE     | PIN-PACKAGE       | UCSP MARK |
|--------------|-----------------|----------------|----------------|-------------------|-----------|
| MAX1820ZEBC* | No Sync         | Dynamic        | -40°C to +85°C | 3 $\times$ 4 UCSP | AAB       |
| MAX1820YEBC* | 19.8            | Dynamic        | -40°C to +85°C | 3 $\times$ 4 UCSP | AAL       |
| MAX1820XEBC* | 13              | Dynamic        | -40°C to +85°C | 3 $\times$ 4 UCSP | AAM       |
| MAX1820ZEUB  | No Sync         | Dynamic        | -40°C to +85°C | 10 $\mu$ MAX      | —         |
| MAX1820YEUB  | 19.8            | Dynamic        | -40°C to +85°C | 10 $\mu$ MAX      | —         |
| MAX1820XEUB  | 13              | Dynamic        | -40°C to +85°C | 10 $\mu$ MAX      | —         |

\*UCSP reliability is integrally linked to the user's assembly methods, circuit board material, and environment. See the UCSP Reliability Notice in the UCSP Reliability section of this data sheet for more information.



Maxim Integrated Products 1

**For pricing, delivery, and ordering information, please contact Maxim/Dallas Direct! at 1-888-629-4642, or visit Maxim's website at [www.maxim-ic.com](http://www.maxim-ic.com).**

# WCDMA Cellular Phone 600mA Buck Regulators

## ABSOLUTE MAXIMUM RATINGS

|   |                                     |   |                 |
|---|-------------------------------------|---|-----------------|
| BATT, OUT (FB), $\overline{\text{SHDN}}$ , SYNC, $\overline{\text{SKIP}}$ ,<br>REF to GND ..... | -0.3V to +6.0V                      | Operating Temperature Range .....       | -40°C to +85°C  |
| PGND to GND .....   | -0.3V to +0.3V                      | Junction Temperature .....              | +150°C          |
| LX, COMP to GND .....   | -0.3V to (V <sub>BATT</sub> + 0.3V) | Storage Temperature Ranges              |                 |
| Output Short-Circuit Duration .....   | Infinite                            | 3 × 4 UCSP .....                        | -40°C to +150°C |
| Continuous Power Dissipation (T <sub>A</sub> = +70°C)   |                                     | 10-Pin $\mu$ MAX .....                  | -65°C to +150°C |
| 3 × 4 UCSP (derate 10.4mW/°C above +70°C) .....   | 832mW                               | Solder Profile (UCSP) .....             | (Note 1)        |
| 10-Pin $\mu$ MAX (derate 5.6mW/°C above +70°C) .....  | 444mW                               | Lead Temperature (soldering, 10s) ..... | +300°C          |

**Note 1:** For UCSP solder profile information, visit [www.maxim-ic.com/1st\\_pages/UCSP.htm](http://www.maxim-ic.com/1st_pages/UCSP.htm).

Stresses beyond those listed under "Absolute Maximum Ratings" may cause permanent damage to the device. These are stress ratings only, and functional operation of the device at these or any other conditions beyond those indicated in the operational sections of the specifications is not implied. Exposure to absolute maximum rating conditions for extended periods may affect device reliability.

## ELECTRICAL CHARACTERISTICS

(V<sub>BATT</sub> = 3.6V,  $\overline{\text{SHDN}}$  = BATT,  $\overline{\text{SKIP}}$  = SYNC = GND, V<sub>REF</sub> = 1.25V (MAX1820 only), T<sub>A</sub> = 0°C to +85°C, unless otherwise noted. Typical values are at T<sub>A</sub> = +25°C.) (Note 2)

| PARAMETER                      | SYMBOL            | CONDITIONS   | MIN   | TYP  | MAX   | UNITS      |
|--------------------------------|-------------------|--|-------|------|-------|------------|
| Input BATT Voltage             | V <sub>IN</sub>   |  | 2.6   |      | 5.5   | V          |
| Undervoltage Lockout Threshold | V <sub>UVLO</sub> | V <sub>BATT</sub> rising, 1% hysteresis  | 2.20  | 2.35 | 2.55  | V          |
| Quiescent Current              | I <sub>Q</sub>    | $\overline{\text{SKIP}}$ = GND (MAX1820Z/MAX1821)  |       | 180  | 300   | $\mu$ A    |
|                                |                   | $\overline{\text{SKIP}}$ = BATT, no switching  |       | 450  | 2000  |            |
|                                |                   | $\overline{\text{SKIP}}$ = GND (MAX1820Y, MAX1820X, and MAX1821X)  |       | 240  | 360   |            |
|                                |                   | $\overline{\text{SKIP}}$ = BATT, 1MHz switching  |       | 3300 |       |            |
| Quiescent Current in Dropout   |                   | $\overline{\text{SKIP}}$ = GND   |       | 530  | 1000  | $\mu$ A    |
|                                |                   | $\overline{\text{SKIP}}$ = BATT, no switching  |       | 550  | 1000  |            |
| Shutdown Supply Current        | I <sub>SHDN</sub> | $\overline{\text{SHDN}}$ = GND   |       | 0.1  | 6     | $\mu$ A    |
| <b>ERROR AMPLIFIER</b>         |                   |  |       |      |       |            |
| OUT Voltage Accuracy (MAX1820) | V <sub>OUT</sub>  | V <sub>REF</sub> = 1.932 ± 0.005V, load = 0 to 600mA, $\overline{\text{SKIP}}$ = BATT or GND                   | 3.33  | 3.4  | 3.47  | V          |
|                                |                   | V <sub>REF</sub> = 0.227 ± 0.005V, load = 0 to 30mA, $\overline{\text{SKIP}}$ = BATT, V <sub>BATT</sub> ≤ 4.2V | 0.35  | 0.40 | 0.45  |            |
| OUT Input Resistance (MAX1820) | R <sub>OUT</sub>  |  | 250   | 400  |       | k $\Omega$ |
| REF Input Current (MAX1820)    | I <sub>REF</sub>  |  |       | 0.1  | 1     | $\mu$ A    |
| FB Voltage Accuracy (MAX1821)  | V <sub>FB</sub>   | FB = COMP  | 1.225 | 1.25 | 1.275 | V          |
| FB Input Current (MAX1821)     | I <sub>FB</sub>   | V <sub>FB</sub> = 1.4V   |       | 0.01 | 50    | nA         |
| Transconductance               | g <sub>m</sub>    |  | 30    | 50   | 85    | $\mu$ S    |
| COMP Clamp Low Voltage         |                   |  | 0.2   | 0.45 | 1.0   | V          |
| COMP Clamp High Voltage        |                   |  | 2.04  | 2.15 | 2.28  | V          |

# WCDMA Cellular Phone 600mA Buck Regulators

MAX1820/MAX1821

## ELECTRICAL CHARACTERISTICS (continued)

(V<sub>BATT</sub> = 3.6V,  $\overline{\text{SHDN}}$  = BATT,  $\overline{\text{SKIP}}$  = SYNC = GND, V<sub>REF</sub> = 1.25V (MAX1820 only), T<sub>A</sub> = 0°C to +85°C, unless otherwise noted. Typical values are at T<sub>A</sub> = +25°C.) (Note 2)

| PARAMETER  | SYMBOL              | CONDITIONS   | MIN  | TYP   | MAX   | UNITS |
|--|---------------------|--|------|-------|-------|-------|
| <b>CONTROLLER</b>  |                     |  |      |       |       |       |
| P-Channel On-Resistance  | P <sub>RDS</sub>    | I <sub>LX</sub> = 180mA, V <sub>BATT</sub> = 3.6V                        |      | 0.15  | 0.3   | Ω     |
|  |                     | I <sub>LX</sub> = 180mA, V <sub>BATT</sub> = 2.6V                        |      | 0.2   |       |       |
| N-Channel On-Resistance  | N <sub>RDS</sub>    | I <sub>LX</sub> = 180mA, V <sub>BATT</sub> = 3.6V                        |      | 0.2   | 0.35  | Ω     |
|  |                     | I <sub>LX</sub> = 180mA, V <sub>BATT</sub> = 2.6V                        |      | 0.3   |       |       |
| Current-Sense Transresistance  | R <sub>CS</sub>     |  | 0.25 | 0.50  | 0.75  | V/A   |
| P-Channel Current-Limit Threshold  |                     | Duty factor = 100%   | 0.75 | 1.2   | 1.55  | A     |
| P-Channel Pulse-Skipping Current Threshold   |                     | $\overline{\text{SKIP}}$ = GND   | 0.04 | 0.13  | 0.24  | A     |
| N-Channel Current-Limit Threshold  |                     | $\overline{\text{SKIP}}$ = BATT  | -1.6 | -0.85 | -0.45 | A     |
|  |                     | $\overline{\text{SKIP}}$ = GND   | 0.02 | 0.08  | 0.14  |       |
| LX Leakage Current   | I <sub>LX</sub>     | V <sub>BATT</sub> = 5.5V, LX = GND or BATT                               | -1   | 0.1   | 1     | μA    |
| Maximum Duty Cycle   | duty <sub>MAX</sub> |  | 100  |       |       | %     |
| Minimum Duty Cycle   | duty <sub>MIN</sub> | $\overline{\text{SKIP}}$ = GND   |      |       | 0     | %     |
|  |                     | $\overline{\text{SKIP}}$ = BATT, V <sub>BATT</sub> = 4.2V <sub>P-P</sub> |      |       | 10    |       |
| <b>SYNC AND OSCILLATOR</b>   |                     |  |      |       |       |       |
| SYNC Divide Ratio (MAX1820X)   |                     | SYNC = sine wave, SYNC input = 200mV <sub>P-P</sub>                      | 13   |       | 13    | Hz/Hz |
|  |                     | SYNC = sine wave, SYNC input = 800mV <sub>P-P</sub>                      | 13   |       | 13    |       |
| SYNC Capture Range (MAX1820X)  |                     | SYNC = sine wave, AC-coupled, SYNC input = 500mV <sub>P-P</sub>          | 10   | 13    | 16    | MHz   |
| SYNC Leakage Current Frequency   | I <sub>SYNC</sub>   | V <sub>SYNC</sub> = 1V (MAX1820Z, MAX1821)                               | -1   |       | +1    | μA    |
|  |                     | V <sub>SYNC</sub> = 1V (MAX1820X, MAX1820Y, and MAX1821X)                | -5   |       | +5    |       |
| SYNC Divide Ratio (MAX1820Y)   |                     | SYNC = sine wave, SYNC input = 200mV <sub>P-P</sub>                      | 18   |       | 18    | Hz/Hz |
|  |                     | SYNC = sine wave, SYNC input = 800mV <sub>P-P</sub>                      | 18   |       | 18    |       |
| SYNC Capture Range (MAX1820Y)  |                     | SYNC = sine wave, AC-coupled, SYNC input = 500mV <sub>P-P</sub>          | 15   | 19.8  | 21    | MHz   |
| Internal Oscillator Frequency (MAX1820Z, MAX1821)  | f <sub>OSC</sub>    | SYNC = GND   | 0.8  | 1     | 1.2   | MHz   |
| <b>LOGIC INPUTS (<math>\overline{\text{SKIP}}</math>, <math>\overline{\text{SHDN}}</math>)</b> |                     |  |      |       |       |       |
| Logic Input High   | V <sub>IH</sub>     |  | 1.6  |       |       | V     |
| Logic Input Low  | V <sub>IL</sub>     |  |      |       | 0.4   | V     |
| Logic Input Current  |                     |  | -1   | 0.1   | 1     | μA    |

# WCDMA Cellular Phone 600mA Buck Regulators

MAX1820/MAX1821

## ELECTRICAL CHARACTERISTICS

( $V_{BATT} = 3.6V$ ,  $\overline{SHDN} = BATT$ ,  $\overline{SKIP} = SYNC = GND$ ,  $V_{REF} = 1.25V$  (MAX1820 only),  $T_A = -40^{\circ}C$  to  $+85^{\circ}C$ , unless otherwise noted.) (Notes 2, 3)

| PARAMETER                                  | SYMBOL     | CONDITIONS   | MIN   | MAX   | UNITS      |
|--|------------|--|-------|-------|------------|
| Input BATT Voltage                         | $V_{IN}$   |  | 2.6   | 5.5   | V          |
| Undervoltage Lockout Threshold             | $V_{UVLO}$ | $V_{BATT}$ rising, 1% hysteresis   | 2.15  | 2.55  | V          |
| Quiescent Current                          | $I_Q$      | $\overline{SKIP} = GND$ (MAX1820Z, MAX1821)  |       | 300   | $\mu A$    |
|  |            | $\overline{SKIP} = GND$ (MAX1820X, MAX1820Y, and MAX1821X)                                       |       | 360   |            |
|  |            | $\overline{SKIP} = BATT$ , no switching  |       | 2000  |            |
| Quiescent Current in Dropout               |            | $\overline{SKIP} = GND$  |       | 1000  | $\mu A$    |
|  |            | $\overline{SKIP} = BATT$ , no switching  |       | 1000  |            |
| Shutdown Supply Current                    | $I_{SHDN}$ | $\overline{SHDN} = GND$  |       | 6     | $\mu A$    |
| <b>ERROR AMPLIFIER</b>                     |            |  |       |       |            |
| OUT Voltage Accuracy (MAX1820)             | $V_{OUT}$  | $V_{REF} = 1.932 \pm 0.005V$ , load = 0 to 600mA, $\overline{SKIP} = BATT$ or GND                | 3.33  | 3.47  | V          |
|  |            | $V_{REF} = 0.227 \pm 0.005V$ , load = 0 to 30mA, $\overline{SKIP} = BATT$ , $V_{BATT} \leq 4.2V$ | 0.35  | 0.45  |            |
| OUT Input Resistance (MAX1820)             | $R_{OUT}$  |  | 250   |       | k $\Omega$ |
| REF Input Current (MAX1820)                | $I_{REF}$  |  |       | 1     | $\mu A$    |
| FB Voltage Accuracy (MAX1821)              | $V_{FB}$   | FB = COMP  | 1.225 | 1.275 | V          |
| FB Input Current (MAX1821)                 | $I_{FB}$   | $V_{FB} = 1.4V$  |       | 50    | nA         |
| Transconductance                           | $g_m$      |  | 30    | 85    | $\mu S$    |
| COMP Clamp Low Voltage                     |            |  | 0.2   | 1.0   | V          |
| COMP Clamp High Voltage                    |            |  | 2.04  | 2.28  | V          |
| <b>CONTROLLER</b>                          |            |  |       |       |            |
| P-Channel On-Resistance                    | $PR_{DS}$  | $I_{LX} = 180mA$ , $V_{BATT} = 3.6V$   |       | 0.3   | $\Omega$   |
| N-Channel On-Resistance                    | $NR_{DS}$  | $I_{LX} = 180mA$ , $V_{BATT} = 3.6V$   |       | 0.35  | $\Omega$   |
| Current-Sense Transresistance              | $R_{CS}$   |  | 0.25  | 0.75  | V/A        |
| P-Channel Current-Limit Threshold          |            | Duty factor = 100%   | 0.75  | 1.55  | A          |
| P-Channel Pulse-Skipping Current Threshold |            | $\overline{SKIP} = GND$  | 0.04  | 0.24  | A          |
| N-Channel Current-Limit Threshold          |            | $\overline{SKIP} = BATT$   | -1.6  | -0.45 | A          |
|  |            | $\overline{SKIP} = GND$  | 0.01  | 0.14  |            |

# WCDMA Cellular Phone 600mA Buck Regulators

MAX1820/MAX1821

## ELECTRICAL CHARACTERISTICS (continued)

( $V_{BATT} = 3.6V$ ,  $\overline{SHDN} = BATT$ ,  $\overline{SKIP} = SYNC = GND$ ,  $V_{REF} = 1.25V$  (MAX1820 only),  $T_A = -40^{\circ}C$  to  $+85^{\circ}C$ , unless otherwise noted.) (Notes 2, 3)

| PARAMETER  | SYMBOL     | CONDITIONS  | MIN | MAX | UNITS   |
|--|------------|---|-----|-----|---------|
| LX Leakage Current   | $I_{LX}$   | $V_{BATT} = 5.5V$ , LX = GND or BATT                | -1  | 1   | $\mu A$ |
| Maximum Duty Cycle   | dutyMAX    |   | 100 |     | %       |
| Minimum Duty Cycle   | dutyMIN    | $\overline{SKIP} = GND$                             |     | 0   | %       |
|  |            | $\overline{SKIP} = BATT$ , $V_{BATT} = 4.2V$        |     | 10  |         |
| <b>SYNC AND OSCILLATOR</b>   |            |   |     |     |         |
| SYNC Divide Ratio (MAX1820X)   |            | SYNC = sine wave, SYNC input = 200mVp-p             | 13  | 13  | Hz/Hz   |
|  |            | SYNC = sine wave, SYNC input = 800mVp-p             | 13  | 13  |         |
| SYNC Capture Range (MAX1820X)  |            | SYNC = sine wave, AC-coupled, SYNC input = 500mVp-p | 10  | 16  | MHz     |
| SYNC Divide Ratio (MAX1820Y)   |            | SYNC = sine wave, SYNC input = 200mVp-p             | 18  | 18  | Hz/Hz   |
|  |            | SYNC = sine wave, SYNC input = 800mVp-p             | 18  | 18  |         |
| SYNC Capture Range (MAX1820Y)  |            | SYNC = sine wave, AC-coupled, SYNC input = 500mVp-p | 15  | 21  | MHz     |
| SYNC Leakage Current   | $I_{SYNC}$ | $V_{SYNC} = IV$ (MAX1820Z, MAX1821)                 | -1  | +1  | $\mu A$ |
|  |            | $V_{SYNC} = IV$ (MAX1820X, MAX1820Y, and MAX1821X)  | -5  | +5  |         |
| Internal Oscillator Frequency (MAX1820Z, MAX1821)                                | $f_{OSC}$  | SYNC = GND  | 0.8 | 1.2 | MHz     |
| <b>LOGIC INPUTS (<math>\overline{SKIP}</math>, <math>\overline{SHDN}</math>)</b> |            |   |     |     |         |
| Logic Input High   | $V_{IH}$   |   | 1.6 |     | V       |
| Logic Input Low  | $V_{IL}$   |   |     | 0.4 | V       |
| Logic Input Current  |            |   |     | 1   | $\mu A$ |

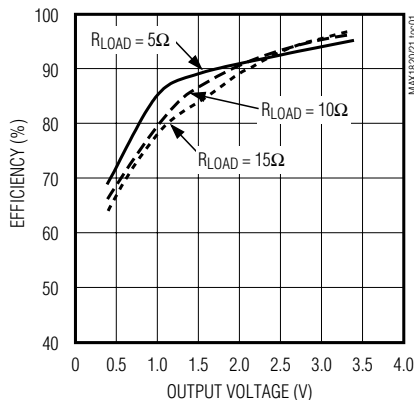
**Note 2:** Limits are 100% production tested at  $T_A = +25^{\circ}C$  for UCSP parts. Limits over the entire operating temperature range are guaranteed by design and characterization but are not production tested.

**Note 3:** Specifications to  $-40^{\circ}C$  are guaranteed by design and not subject to production test.

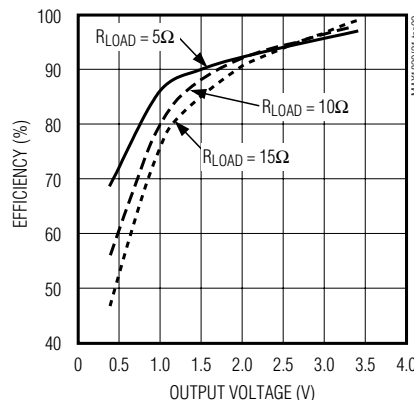
## Typical Operating Characteristics

( $T_A = +25^{\circ}C$ , unless otherwise noted.)

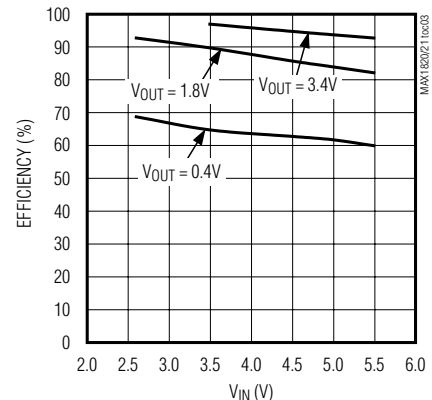
**EFFICIENCY vs. OUTPUT VOLTAGE (NORMAL MODE,  $V_{IN} = 3.6V$ )**



**EFFICIENCY vs. OUTPUT VOLTAGE (PWM MODE,  $V_{IN} = 3.6V$ )**



**EFFICIENCY vs. INPUT VOLTAGE (NORMAL MODE,  $R_{LOAD} = 10\Omega$ )**

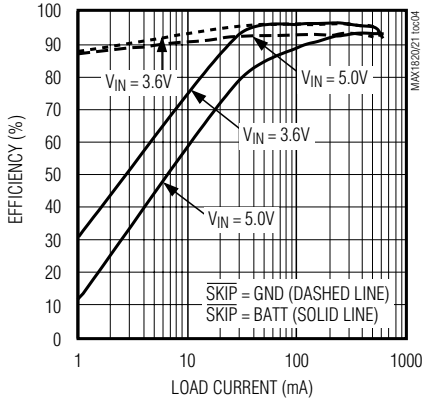


# WCDMA Cellular Phone 600mA Buck Regulators

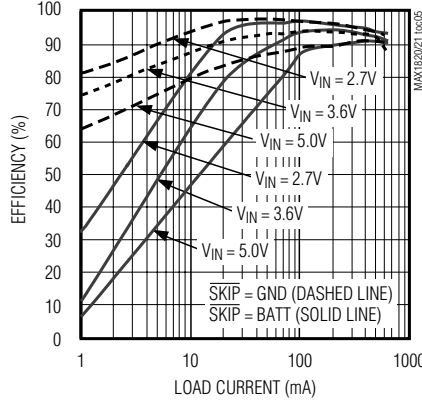
## Typical Operating Characteristics (continued)

(T<sub>A</sub> = +25°C, unless otherwise noted.)

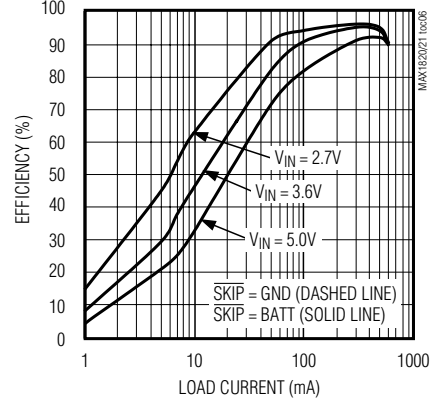
**MAX1821 EFFICIENCY vs. LOAD CURRENT (V<sub>OUT</sub> = 3.3V)**



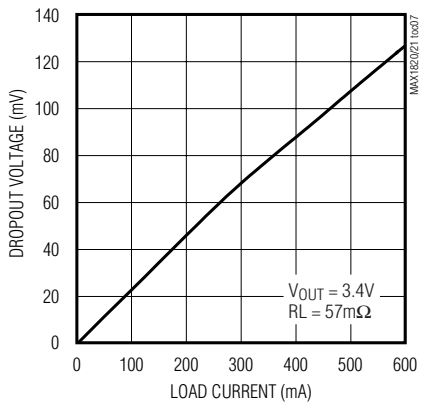
**MAX1821 EFFICIENCY vs. LOAD CURRENT (V<sub>OUT</sub> = 2.5V)**



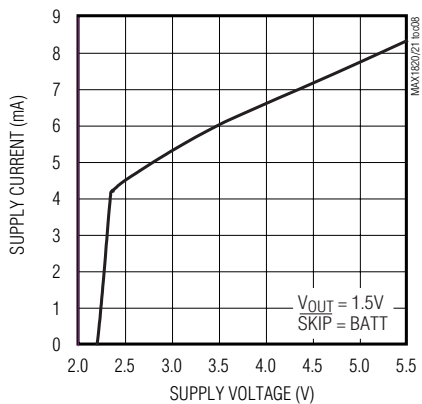
**MAX1821 EFFICIENCY vs. LOAD CURRENT (V<sub>OUT</sub> = 1.5V)**



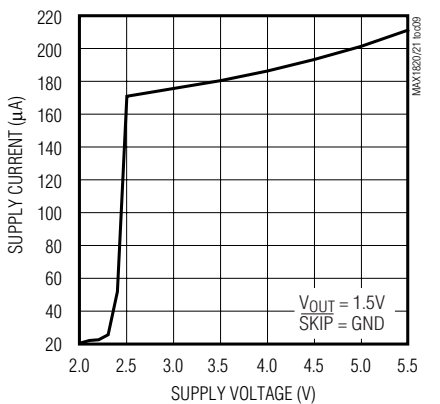
**DROPOUT VOLTAGE vs. LOAD CURRENT**



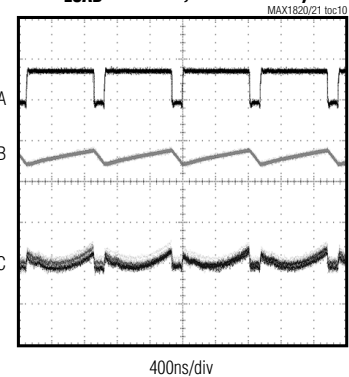
**SUPPLY CURRENT vs. SUPPLY VOLTAGE**



**SUPPLY CURRENT vs. SUPPLY VOLTAGE**



**HEAVY-LOAD SWITCHING WAVEFORMS (V<sub>IN</sub> = 3.8V, V<sub>OUT</sub> = 3.4V, I<sub>LOAD</sub> = 600mA, SKIP = BATT)**



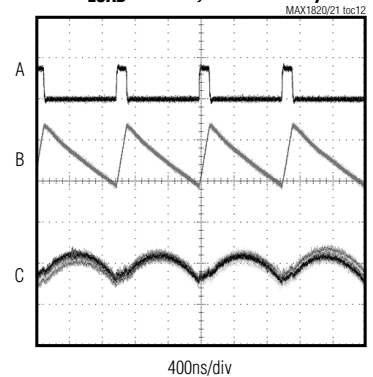
A: V<sub>Lx</sub>, 5V/div  
B: INDUCTOR CURRENT, 500mA/div  
C: V<sub>OUT</sub> (AC-COUPLED), 5mV/div

**MEDIUM-LOAD SWITCHING WAVEFORMS (V<sub>IN</sub> = 3.8V, V<sub>OUT</sub> = 1.8V, I<sub>LOAD</sub> = 300mA, SKIP = BATT)**



A: V<sub>Lx</sub>, 5V/div  
B: INDUCTOR CURRENT, 500mA/div  
C: V<sub>OUT</sub> (AC-COUPLED), 5mV/div

**LIGHT-LOAD PWM SWITCHING WAVEFORMS (V<sub>IN</sub> = 3.8V, V<sub>OUT</sub> = 0.45V, I<sub>LOAD</sub> = 30mA, SKIP = BATT)**



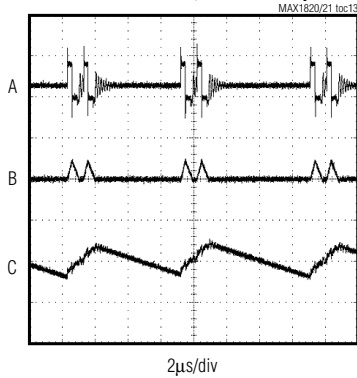
A: V<sub>Lx</sub>, 5V/div  
B: INDUCTOR CURRENT, 100mA/div  
C: V<sub>OUT</sub> (AC-COUPLED), 5mV/div

# WCDMA Cellular Phone 600mA Buck Regulators

## Typical Operating Characteristics (continued)

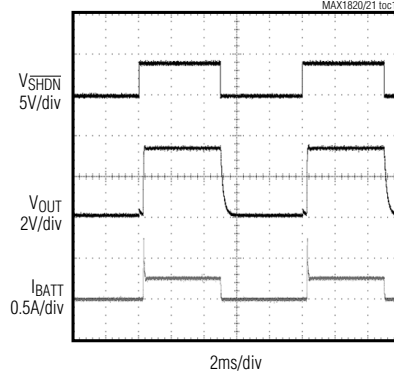
( $T_A = +25^\circ\text{C}$ , unless otherwise noted.)

**LIGHT-LOAD SKIP-SWITCHING WAVEFORMS**  
 ( $V_{IN} = 4.2\text{V}$ ,  $V_{OUT} = 1.5\text{V}$ ,  
 $I_{LOAD} = 30\text{mA}$ ,  $SKIP = GND$ )

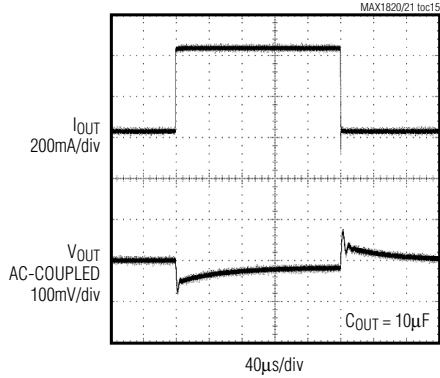


A:  $V_{LX}$ , 5V/div  
 B: INDUCTOR CURRENT, 500mA/div  
 C:  $V_{OUT}$  (AC-COUPLED), 20mV/div

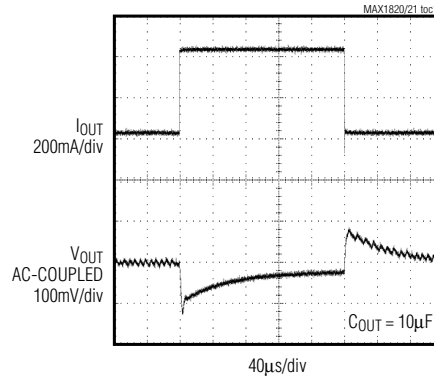
**EXITING AND ENTERING SHUTDOWN**  
 ( $V_{IN} = 3.6\text{V}$ ,  $V_{OUT} = 3.4\text{V}$ ,  $R_{LOAD} = 15\Omega$ )



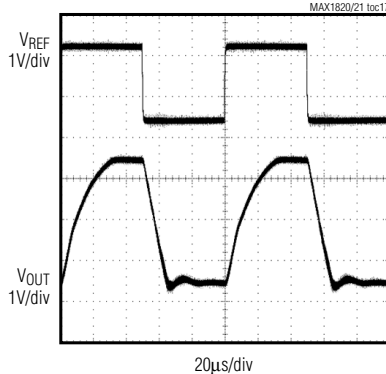
**LOAD TRANSIENT ( $I_{LOAD} = 20\text{mA}$  TO  $420\text{mA}$ ,  
 $V_{OUT} = 1.5\text{V}$ ,  $V_{IN} = 3.6\text{V}$ ,  $SKIP = BATT$ )**



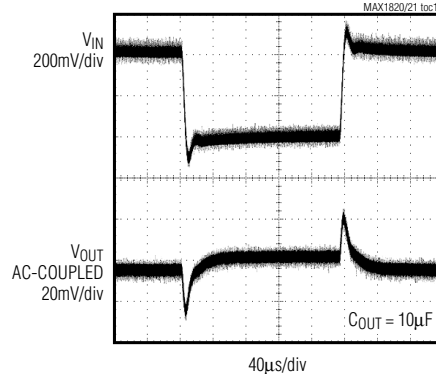
**LOAD TRANSIENT ( $I_{LOAD} = 20\text{mA}$  TO  $420\text{mA}$ ,  
 $V_{OUT} = 1.5\text{V}$ ,  $V_{IN} = 3.6\text{V}$ ,  $SKIP = GND$ )**



**MAX1820**  
**REF TRANSIENT ( $V_{REF} = 0.23\text{V}$  TO  $1.932\text{V}$ ,  
 $R_{LOAD} = 10\Omega$ ,  $V_{IN} = 3.6\text{V}$ ,  $SKIP = BATT$ )**



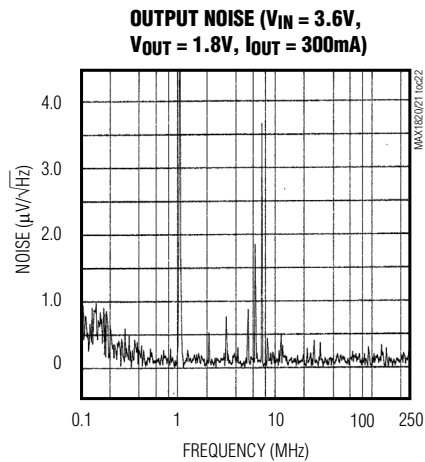
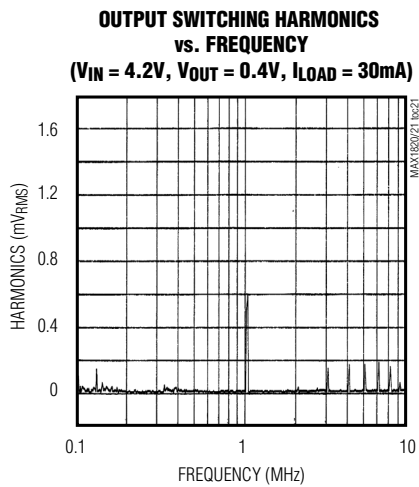
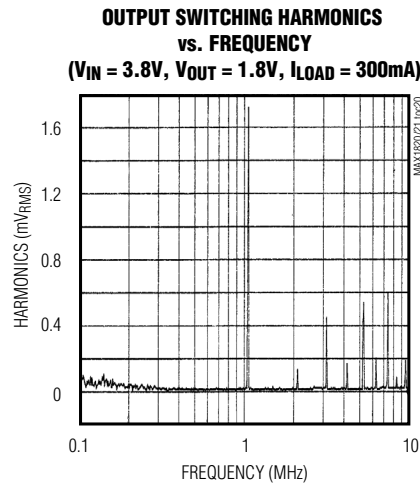
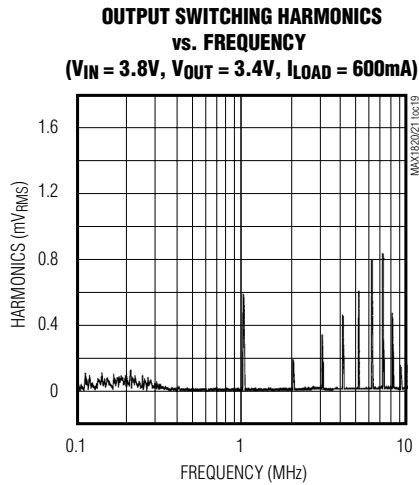
**LINE TRANSIENT ( $V_{IN} = 3.6\text{V}$  TO  $4.0\text{V}$ ,  
 $V_{OUT} = 1.5\text{V}$ ,  $I_{LOAD} = 300\text{mA}$ )**



# WCDMA Cellular Phone 600mA Buck Regulators

## Typical Operating Characteristics (continued)

(T<sub>A</sub> = +25°C, unless otherwise noted.)



## Pin Description

| PIN          |              |              |              | NAME | FUNCTION  |
|--------------|--------------|--------------|--------------|------|---|
| MAX1820 UCSP | MAX1820 µMAX | MAX1821 UCSP | MAX1821 µMAX |      |   |
| A1           | 1            | A1           | 1            | SKIP | PWM/Skip-Mode Input. Drive with logic 0 to use PWM at medium and heavy loads and pulse skipping at light loads. Drive with logic 1 to force PWM at all loads.     |
| A2           | 2            | A2           | 2            | COMP | Compensation. Typically, connect an 82kΩ (for MAX1821) or 43kΩ (for MAX1820) series resistor and 330pF capacitor from this pin to GND to stabilize the regulator. |
| A3           | 3            | —            | —            | OUT  | Output Voltage Sense Input. Connect OUT directly to the output.   |



# WCDMA Cellular Phone 600mA Buck Regulators

## Pin Description (continued)

MAX1820/MAX1821

| PIN          |                   |              |                   | NAME                     | FUNCTION   |
|--------------|-------------------|--------------|-------------------|--------------------------|--|
| MAX1820 UCSP | MAX1820 $\mu$ MAX | MAX1821 UCSP | MAX1821 $\mu$ MAX |                          |  |
| —            | —                 | A3           | 3                 | FB                       | Output Feedback Sense Input. To set the output voltage, connect FB to the center of an external resistive divider between the output and GND. FB voltage regulates to 1.25V.   |
| A4           | 4                 | —            | —                 | REF                      | External Reference Input. Connect REF to the output of a D/A converter for dynamic adjustment of the output voltage. REF-to-OUT gain is 1.76.  |
| —            | —                 | A4           | 4                 | REF                      | Internal Reference Bypass. Connect a 0.047 $\mu$ F capacitor from REF to GND.  |
| B4           | 5                 | B4           | 5                 | GND                      | Ground   |
| C4           | 6                 | C4           | 6                 | PGND                     | Power Ground   |
| C3           | 7                 | C3           | 7                 | LX                       | Inductor Connection. LX connects to the drains of the internal power MOSFETs. LX is high impedance in shutdown mode.   |
| C2           | 8                 | C2           | 8                 | BATT                     | Supply Voltage Input. Connect BATT to a 2.6V to 5.5V source. Bypass BATT to PGND with a low-ESR 10 $\mu$ F capacitor.  |
| C1           | 9                 | C1           | 9                 | $\overline{\text{SHDN}}$ | Active-Low, Shutdown Control Input   |
| B1           | 10                | B1           | 10                | SYNC                     | Clock Synchronization Input. Drive SYNC with a 13MHz (MAX1820X, MAX1821X) or 19.8MHz (MAX1820Y) AC-coupled sine-wave input to synchronize power switching at 1MHz. MAX1820Z and MAX1821 do not have SYNC capability. Connect SYNC to GND to use the internally generated, free-running 1MHz clock. MAX1820Z and MAX1821 SYNC pin must be connected to GND. |

### Detailed Description

The MAX1820/MAX1821 PWM step-down DC-DC converters are optimized for low-voltage, battery-powered applications where high efficiency and small size are priorities. The MAX1821 is a general-purpose device that uses external feedback resistors to set the output voltage from 1.25V to  $V_{\text{BATT}}$ , and the MAX1820 is specifically intended to power a linear PA in WCDMA handsets. An analog control signal dynamically adjusts the MAX1820's output voltage from 0.4V to 3.4V with a settling time <30 $\mu$ s.

The MAX1820/MAX1821 operate at a high 1MHz switching frequency that reduces external component size. Each device includes an internal synchronous rectifier that provides for high efficiency and eliminates the need for an external Schottky diode. The normal operating mode uses constant-frequency PWM switching at medium and heavy loads, and automatically pulse skips at light loads to reduce supply current and extend

battery life. An additional forced PWM mode (with optional external synchronization) switches at a constant frequency, regardless of load, to provide a well-controlled spectrum in noise-sensitive applications. Battery life is maximized by low-dropout operation at 100% duty-cycle and a 0.1 $\mu$ A (typ) logic-controlled shutdown mode.

### PWM Control

The MAX1820/MAX1821 use a slope-compensated, current-mode PWM controller capable of achieving 100% duty cycle. The current-mode control design is capable of minimum duty cycles of less than 10%, ensuring a constant switching frequency with outputs as low as 0.4V when powered from a single lithium-ion (Li+) cell. Current-mode feedback provides stable switching and cycle-by-cycle current limiting for superior load and line response and protection of the internal MOSFET and synchronous rectifier. The output voltage is regulated by switching at a constant frequency and then modulating the power transferred to the load dur-

# WCDMA Cellular Phone 600mA Buck Regulators

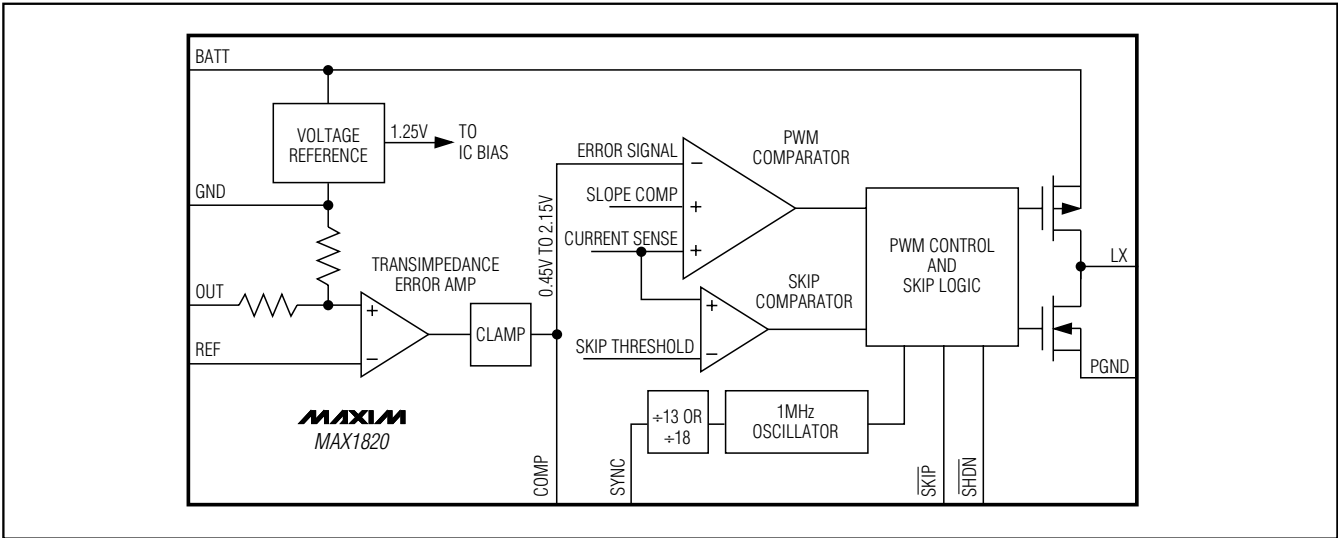


Figure 1. MAX1820 Simplified Functional Diagram (No SYNC for MAX1820Z)

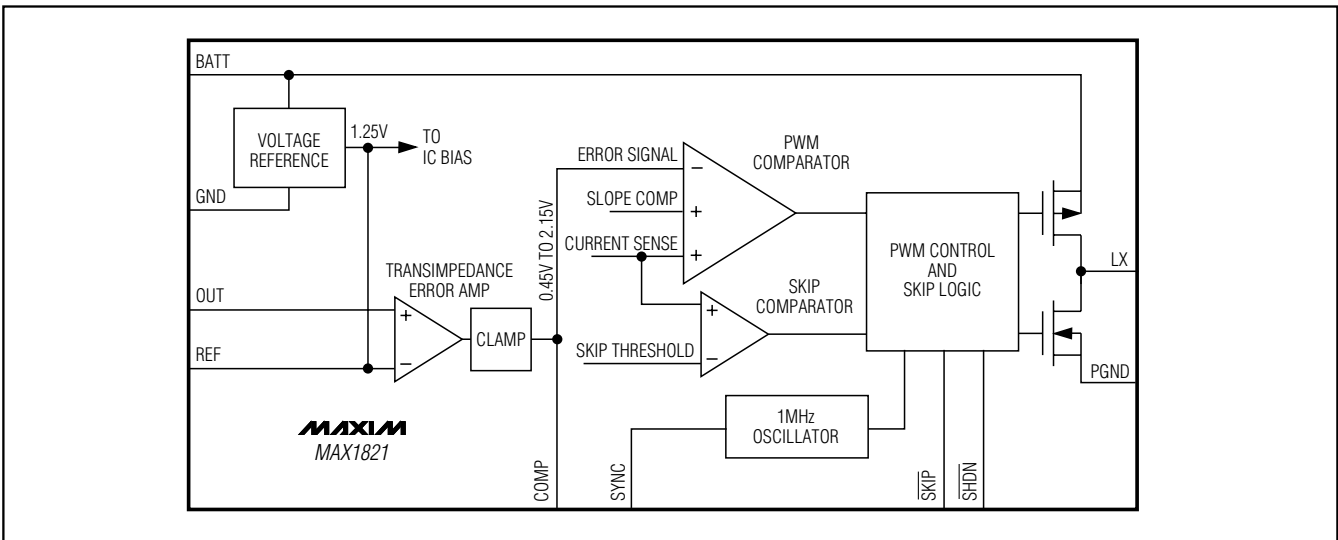


Figure 2. MAX1821 Simplified Functional Diagram (No SYNC for MAX1821)

ing each cycle, using the PWM comparator. The power transferred to the load is adjusted by changes in the inductor peak current limit during the first half of each cycle, based on the output error voltage.

A new cycle begins at each falling edge of the internal oscillator. The controller turns on the P-channel MOSFET to increase the inductor current, and the slope compensation block initiates a new reference current

ramp that is summed with the internal P-channel MOSFET current (Figures 1 and 2).

The second half of the cycle begins when the reference ramp is greater than the error voltage. The P-channel MOSFET is turned off, the synchronous rectifier is turned on, and inductor current continues to flow to the output capacitor. The output capacitor stores charge when the current is high and releases it when the inductor current is low, smoothing the voltage across

# WCDMA Cellular Phone 600mA Buck Regulators

MAX1820/MAX1821

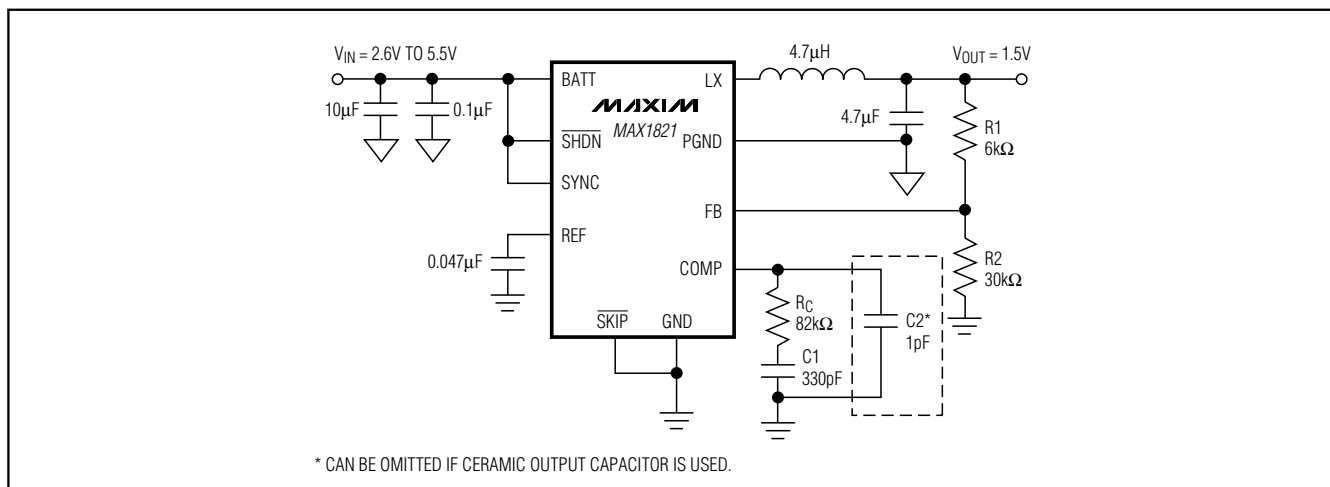


Figure 3. Standard Operating Circuit

the load. The duty cycle of a buck step-down converter is ideally a ratio of the output voltage to input voltage in steady-state condition.

The MAX1820/MAX1821 have internal switch current limits of 1.2A (typ). If  $I_{LX}$  exceeds this maximum, the high-side FET turns off and the synchronous rectifier turns on. This lowers the duty cycle and causes the output voltage to droop as long as the load current remains excessive. There is also a synchronous rectifier current limit of -0.85A when the device is operating in forced PWM mode (see the *Forced PWM Operation* section). If the negative current limit is exceeded, the synchronous rectifier is turned off, and the inductor current continues to flow through its body diode until the beginning of the next cycle or the inductor current drops to zero. This means there is a limit on how much current the device is allowed to shuttle in response to output power reduction.

### Normal Mode Operation

Connecting  $\overline{\text{SKIP}}$  to GND enables MAX1820/MAX1821 normal operation (Figure 3). This allows automatic PWM control at medium and heavy loads and skip mode at light loads to improve efficiency and reduce quiescent current to 180µA. Operating in normal mode also allows the MAX1820/MAX1821 to pulse skip when the peak inductor current drops below 130mA, corresponding to a load current of approximately 65mA.

During skip operation, the MAX1820/MAX1821 switch only as needed to service the load, reducing the switching frequency and associated losses in the internal switch, the synchronous rectifier, and the external inductor.

There are three steady-state operating conditions for the MAX1820/MAX1821 in normal mode. The device performs in continuous conduction for heavy loads in a manner identical to forced PWM mode. The inductor current becomes discontinuous at medium loads, requiring the synchronous rectifier to be turned off before the end of a cycle as the inductor current reaches zero. The device enters into skip mode when the converter output voltage exceeds its regulation limit before the inductor current reaches its skip threshold level.

During skip mode, a switching cycle initiates when the output voltage has dropped out of regulation. The P-channel MOSFET switch turns on and conducts current to the output-filter capacitor and load until the inductor current reaches the skip peak current limit. Then the main switch turns off, and the magnetic field in the inductor collapses, while current flows through the synchronous rectifier to the output filter capacitor and the load. The synchronous rectifier is turned off when the inductor current reaches zero. The MAX1820/MAX1821 wait until the skip comparator senses a low output voltage again.

### Forced PWM Operation

Connect  $\overline{\text{SKIP}}$  to BATT for forced PWM operation. Forced PWM operation is desirable in sensitive RF and data-acquisition applications to ensure that switching harmonics do not interfere with sensitive IF and data-sampling frequencies. A minimum load is not required during forced PWM operation since the synchronous rectifier passes reverse-inductor current as needed to allow constant-frequency operation with no load.

# WCDMA Cellular Phone 600mA Buck Regulators

Forced PWM operation uses higher supply current with no load (3.3mA typ) compared to skip mode.

## 100% Duty-Cycle Operation

The on-time can exceed one internal oscillator cycle, which permits operation up to 100% duty cycle. As the input voltage drops, the duty cycle increases until the P-channel MOSFET is held on continuously. Dropout voltage in 100% duty cycle is the output current multiplied by the on-resistance of the internal switch and inductor, approximately 150mV ( $I_{OUT} = 600\text{mA}$ ). Near dropout, the on-time may exceed one PWM clock cycle; therefore, small-amplitude subharmonic ripple may occur.

## COMP Clamp

The MAX1820/MAX1821 compensation network has a 0.45V to 2.15V error regulation range. The clamp prevents COMP from rising too high or falling too low to optimize transient response.

## Dropout

Dropout occurs when the input voltage is less than the desired output voltage plus the IR drops in the circuit components. The duty cycle is 100% during this condition, and the main switch remains on, continuously delivering current to the output up to the current limit. IR drops in the circuit are primarily caused by the on-resistance of the main switch and the resistance in the inductor.

During dropout, the high-side P-channel MOSFET turns on, and the controller enters a low-current consumption mode. Every 6 $\mu\text{s}$  (6 cycles), the MAX1820/MAX1821 check to see if the device is still in dropout. The device remains in this mode until the MAX1820/MAX1821 are no longer in dropout.

## Undervoltage Lockout (UVLO)

The MAX1820/MAX1821 do not operate with battery voltages below the UVLO threshold of 2.35V (typ). The BATT input remains high impedance until the supply voltage exceeds the UVLO threshold. This guarantees the integrity of the output voltage regulation and prevents excessive current during startup and as the battery supply voltage drops during usage.

## Synchronous Rectification

An N-channel synchronous rectifier eliminates the need for an external Schottky diode and improves efficiency. The synchronous rectifier turns on during the second half of each cycle (off-time). During this time, the voltage across the inductor is reversed, and the inductor

current falls. In normal mode, the synchronous rectifier is turned off when either the output falls out of regulation (and another on-time begins) or when the inductor current approaches zero. In forced PWM mode, the synchronous rectifier remains active until the beginning of a new cycle.

## SYNC Input and Frequency Control

The MAX1820Z and MAX1821 internal oscillator is set to a fixed 1MHz switching frequency. The MAX1820Z and MAX1821 do not have synchronizing capability and the SYNC pin must be connected to GND. The MAX1820Y, MAX1820X, and MAX1821X are capable of synchronizing to external signals. For external synchronization, drive the SYNC pin with a 13MHz (MAX1820X and MAX1821X) or 19.8MHz (MAX1820Y) AC-coupled sine wave. SYNC has a perfect 13:1 (MAX1820X and MAX1821X) or 18:1 (MAX1820Y) clock divider for 1MHz (MAX1820X and MAX1821X) or 1.1MHz (MAX1820Y) switching from common system clocks. The input frequency range for SYNC is 10MHz to 16MHz (MAX1820X, MAX1821X) or 15MHz to 21MHz (MAX1820Y). Connect SYNC to GND to use the internal free-running oscillator at 1MHz.

## Shutdown Mode

Drive  $\overline{\text{SHDN}}$  to GND to place the MAX1820/MAX1821 in shutdown mode. In shutdown, the reference, control circuitry, internal switching MOSFET, and the synchronous rectifier turn off, reducing the supply current to 0.1 $\mu\text{A}$ , and the output goes high impedance. Connect SHDN to BATT for normal operation.

## Current-Sense Comparators

The MAX1820/MAX1821 use several internal current-sense comparators. In PWM operation, the PWM comparator terminates the cycle-by-cycle on-time (Figures 1 and 2) and provides improved load and line response. This allows tighter specification of the inductor-saturation current limit to reduce inductor cost. A second current-sense comparator used across the P-channel switch controls entry into skip mode. A third current-sense comparator monitors current through the internal N-channel MOSFET to prevent excessive reverse currents and determine when to turn off the synchronous rectifier. A fourth comparator used at the P-channel MOSFET detects overcurrent. This protects the system, external components, and internal MOSFETs under overload conditions.

# WCDMA Cellular Phone 600mA Buck Regulators

## Applications Information

### Setting the Output Voltage (MAX1820)

The MAX1820 is optimized for highest system efficiency when applying power to a linear PA in WCDMA handsets. When transmitting at less than full power, the supply voltage to the PA is reduced (from 3.4V to as low as 0.4V) to greatly reduce battery current. Figure 4 shows the typical WCDMA PA load profile. The use of a DC-DC converter such as the MAX1820 dramatically reduces battery drain in these applications.

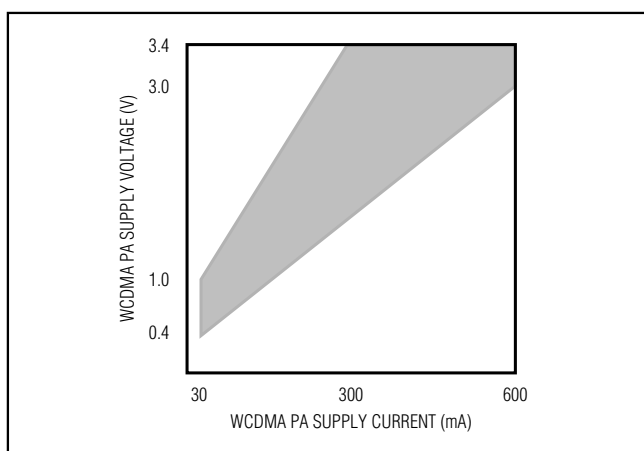


Figure 4. Typical WCDMA PA Load Profile

The MAX1820's output voltage is dynamically adjustable from 0.4V to  $V_{BATT}$  by the use of the REF input. The gain from  $V_{REF}$  to  $V_{OUT}$  is internally set to 1.76.  $V_{OUT}$  can be adjusted during operation by driving REF with an external DAC. The MAX1820 output responds to full-scale change in voltage and current in  $<30\mu s$ .

### Setting the Output Voltage (MAX1821)

The MAX1821 is intended for general-purpose step-down applications where high efficiency is a priority. Select an output voltage between 1.25V and  $V_{BATT}$  by connecting FB to a resistive divider between the output and GND (Figure 3). Select feedback resistor R2 in the 5k $\Omega$  to 30k $\Omega$  range. R1 is then given by:

$$R1 = R2 \left( \frac{V_{OUT}}{V_{FB}} - 1 \right)$$

where  $V_{FB} = 1.25V$ .

## Compensation and Stability

The MAX1820/MAX1821 are externally compensated by placing a resistor and a capacitor ( $R_C$  and  $C_1$ ) in series, from COMP to GND (Figure 3). The capacitor integrates the current from the transimpedance amplifier, averaging output capacitor ripple. This sets the device speed for transient responses and allows the use of small ceramic output capacitors because the phase-shifted capacitor ripple does not disturb the current regulation loop. The resistor sets the proportional gain of the output error voltage by a factor  $g_m \times R_C$ . Increasing this resistor also increases the sensitivity of the control loop to the output capacitor ripple.

This resistor and capacitor set a compensation zero that defines the system's transient response. The load pole is a dynamic pole, shifting the pole frequency with changes in load. As the load decreases, the pole frequency shifts to the left. System stability requires that the compensation zero must be placed properly to ensure adequate phase margin (at least 30° at unity gain). The following is a design procedure for the compensation network:

- 1) Select an appropriate converter bandwidth ( $f_C$ ) to stabilize the system while maximizing transient response. This bandwidth should not exceed 1/5 of the switching frequency. Use 100kHz as a reasonable starting point.
- 2) Calculate the compensation capacitor,  $C_1$ , based on this bandwidth:

$$C1 = \left( \frac{V_{O(MAX)}}{I_{O(MAX)}} \right) \left( \frac{1}{R_{CS}} \right) \left( g_m \times \frac{R2}{R1+R2} \right) \left( \frac{1}{2 \times \pi \times f_C} \right)$$

Resistors R1 and R2 are internal to the MAX1820; use  $R1 = 151k\Omega$  and  $R2 = 199k\Omega$  as nominal values for calculations. These resistors are external to the MAX1821 (see the *Setting the Output Voltage* section). Using  $V_{O(MAX)} = 3.4V$ ,  $I_{O(MAX)} = 0.6A$ ,  $g_m = 50\mu s$ ,  $R_{CS} = 0.75\Omega$ ,  $C_1$  is evaluated as:

$$C1 = \left( \frac{3.4V}{0.6A} \right) \left( \frac{1}{0.75\Omega} \right) \left( 50\mu s \times \frac{199k\Omega}{151k\Omega + 199k\Omega} \right) \times \left( \frac{1}{2 \times 3.14 \times 100kHz} \right) = 341pF$$

Selecting the nearest standard value of 330pF corresponds to a 103kHz bandwidth, which is still acceptable per the above criteria.

# WCDMA Cellular Phone 600mA Buck Regulators

**Table 1. Suggested Inductors**

| MANUFACTURER | PART NUMBER  | INDUCTANCE (μH) | ESR (mΩ)  | SATURATION CURRENT (A) | DIMENSIONS (mm) |
|--------------|--------------|-----------------|-----------|------------------------|-----------------|
| Coilcraft    | DO1606       | 4.7             | 120       | 1.2                    | 5.3 × 5.3 × 2.0 |
| Coilcraft    | LPT1606-472  | 4.7             | 240 (max) | 1.2                    | 6.5 × 5.3 × 2.0 |
| Sumida       | CDRH4D18-4R7 | 4.7             | 125       | 0.84                   | 5 × 5 × 2       |
| Sumida       | CR43         | 4.7             | 108.7     | 1.15                   | 4.5 × 4.0 × 3.5 |
| Sumida       | CDRH5D18-4R1 | 4.1             | 57        | 1.95                   | 5.5 × 5.5 × 2.0 |

3) Calculate the equivalent load impedance,  $R_L$ , by:

$$R_L \approx \frac{V_{OUT(MAX)}}{I_{OUT(MAX)}}$$

4) Calculate the compensation resistance ( $R_C$ ) value to cancel out the dominant pole created by the output load and the output capacitance:

$$\frac{1}{2 \times \pi \times R_L \times C_{OUT}} = \frac{1}{2 \times \pi \times R_C \times C_1}$$

Solving for  $R_C$  gives:

$$R_C = \frac{R_L \times C_{OUT}}{C_1} = \left( \frac{3.4V}{0.6A} \right) \left( \frac{4.7\mu F}{330pF} \right) = 80.8k\Omega$$

5) Calculate the high-frequency compensation pole to cancel the zero created by the output capacitor's equivalent series resistance (ESR):

$$\frac{1}{2 \times \pi \times R_{ESR} \times C_{OUT}} = \frac{1}{2 \times \pi \times R_3 \times C_2}$$

Solving for  $C_2$  gives:

$$C_2 = \frac{R_{ESR} \times C_{OUT}}{R_3} = \frac{4.7\mu F \times 0.01\Omega}{80.8k\Omega} = 0.55pF$$

In this case,  $C_2$  can be omitted due to the use of ceramic capacitors. Larger output capacitors and higher ESR may require the use of capacitor  $C_2$ .

### Inductor Selection

A 4μH to 6μH inductor with a saturation current of at least 800mA is recommended for most applications. For best efficiency, the inductor's DC resistance should be <200mΩ, and saturation current should be >1A. See Table 1 for recommended inductors and manufacturers.

For most designs, a reasonable inductor value ( $L_{IDEAL}$ ) can be derived from the following equation:

$$L_{IDEAL} = \frac{V_{OUT}(V_{BATT} - V_{OUT})}{V_{BATT} \times LIR \times I_{OUT(MAX)} \times f_{OSC}}$$

where LIR is the inductor current ripple as a percentage. LIR should be kept between 20% and 40% of the maximum load current for best performance and stability.

The maximum inductor current is:

$$I_{L(MAX)} = \left( 1 + \frac{LIR}{2} \right) I_{OUT(MAX)}$$

The inductor current becomes discontinuous if  $I_{OUT}$  decreases to LIR/2 from the output current value used to determine  $L_{IDEAL}$ .

### Input Capacitor Selection

The input capacitor reduces the current peaks drawn from the battery or input power source and reduces switching noise in the IC. The impedance of the input capacitor at the switching frequency should be less than that of the input source so high-frequency switching currents do not pass through the input source.

The input capacitor must meet the ripple-current requirement ( $I_{RMS}$ ) imposed by the switching currents. Nontantalum chemistries (ceramic, POSCAP, or OS-CON) are preferred due to their resistance to power-up surge currents:

$$I_{RMS} = I_{LOAD} \left( \frac{\sqrt{V_{OUT}(V_{BATT} - V_{OUT})}}{V_{BATT}} \right)$$

For optimal circuit reliability, choose a capacitor that has less than 10°C temperature rise at the peak ripple current.

# WCDMA Cellular Phone 600mA Buck Regulators

MAX1820/MAX1821

## Output Capacitor Selection

The output capacitor is required to keep the output voltage ripple small and to ensure regulation control loop stability. The output capacitor must have low impedance at the switching frequency. Ceramic capacitors are recommended. The output ripple is approximately:

$$V_{\text{RIPPLE}} \approx \text{LIR} \times I_{\text{OUT(MAX)}} \times \left[ \text{ESR} + \frac{1}{(2 \times f_{\text{OSC}} \times C_{\text{OUT}})} \right]$$

See the *Compensation Design* section for a discussion of the influence of output capacitance and ESR on regulation control-loop stability.

The capacitor voltage rating must exceed the maximum applied capacitor voltage. Consult the manufacturer's specifications for proper capacitor derating. Avoid Y5V and Z5U dielectric types due to their huge voltage and temperature coefficients of capacitance and ESR.

## PC Board Layout and Routing

High switching frequencies and large peak currents make PC board layout a very important part of design. Good design minimizes excessive EMI on the feedback paths and voltage gradients in the ground plane, both of which can result in instability or regulation errors. Connect the inductor, input filter capacitor, and output filter capacitor as close together as possible, and keep their traces short, direct, and wide. Connect their ground pins at a single common node in a star-ground configuration. The external voltage-feedback network should be very close to the FB pin, within 0.2in (5mm). Keep noisy traces (from the LX pin, for example) away from the voltage-feedback network; also, keep them separate, using grounded copper. Connect GND and PGND at a single point, as close as possible to the MAX1820/MAX1821. The MAX1820/MAX1821 evaluation kit manual illustrates an example PC board layout and routing scheme.

## UCSP Package Consideration

For general UCSP package information and PC layout considerations, refer to the Maxim Application Note (Wafer-Level Ultra-Chip-Board-Scale Package).

**Table 2. Capacitor Selection**

| CAPACITOR                  | CAPACITOR VALUE (μF) | ESR (mΩ) | CAPACITOR TYPE |
|----------------------------|----------------------|----------|----------------|
| CBATT                      | 4.7 to 10            | <150     | Ceramic        |
| C <sub>OUT</sub> (MAX1820) | 2.2 to 4.7           | <50      | Ceramic        |
| C <sub>OUT</sub> (MAX1821) | 4.7 to 10            | <150     | Ceramic        |

**Table 3. Component Manufacturers**

| MANUFACTURER | USA PHONE NUMBER | WEBSITE           |
|--------------|------------------|-------------------|
| Coilcraft    | 847-639-6400     | www.coilcraft.com |
| Kemet        | 408-986-0424     | www.kemet.com     |
| Panasonic    | 847-468-5624     | www.panasonic.com |
| Sumida       | 847-956-0666     | www.sumida.com    |
| Taiyo Yuden  | 408-573-4150     | www.t-yuden.com   |

## UCSP Reliability

The chip-scale package (UCSP) represents a unique packaging form factor that may not perform equally to a packaged product through traditional mechanical reliability tests. UCSP reliability is integrally linked to the user's assembly methods, circuit board material, and usage environment. The user should closely review these areas when considering use of a UCSP package. Performance through Operating Life Test and Moisture Resistance remains uncompromised as it is primarily determined by the wafer-fabrication process.

Mechanical stress performance is a greater consideration for a UCSP package. UCSPs are attached through direct solder contact to the user's PC board, foregoing the inherent stress relief of a packaged-product lead frame. Solder joint contact integrity must be considered. Information on Maxim's qualification plan, test data, and recommendations are detailed in the UCSP application note, which can be found on Maxim's website, [www.maxim-ic.com](http://www.maxim-ic.com).

## Chip Information

TRANSISTOR COUNT: 2722

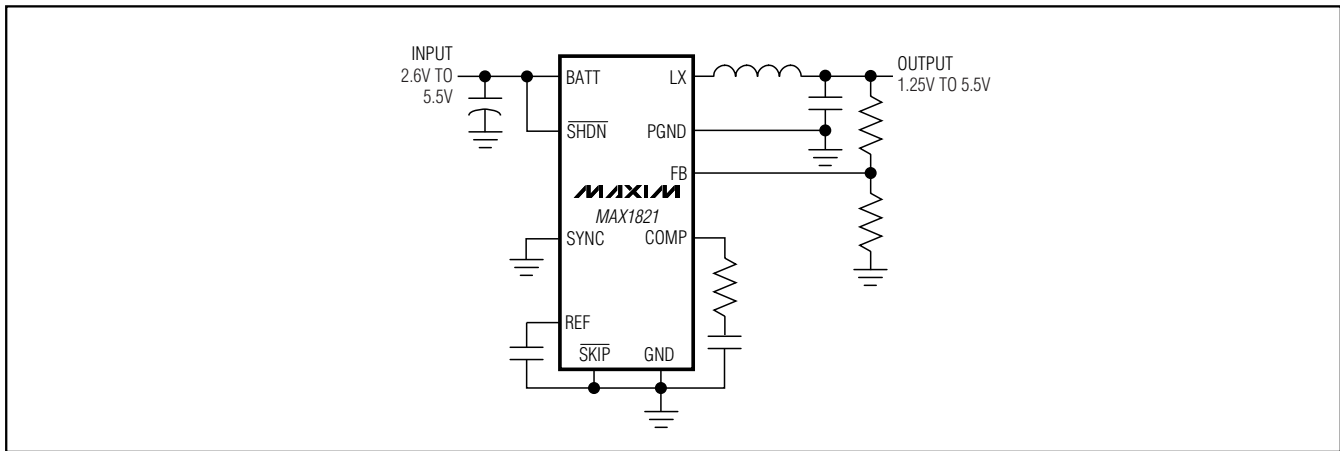
# WCDMA Cellular Phone 600mA Buck Regulators

## Ordering Information (continued)

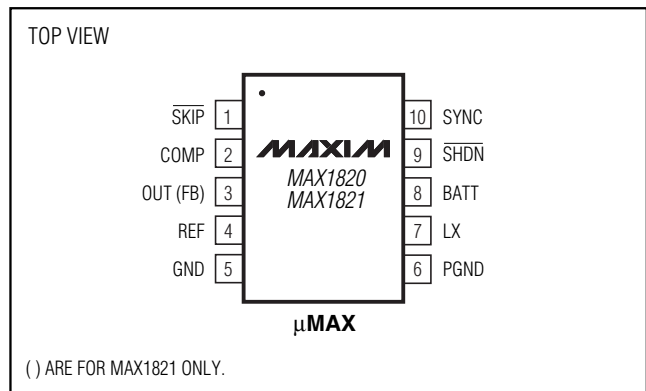
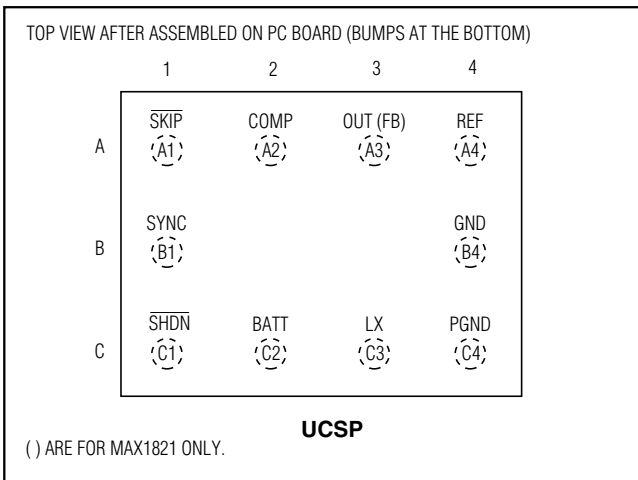
| PART         | SYNC FREQ (MHz) | OUTPUT VOLTAGE | TEMP RANGE     | PIN-PACKAGE | UCSP MARK |
|--------------|-----------------|----------------|----------------|-------------|-----------|
| MAX1821EBC*  | No Sync         | Programmable   | -40°C to +85°C | 3 × 4 UCSP  | AAC       |
| MAX1821EUB   | No Sync         | Programmable   | -40°C to +85°C | 10 μMAX     | —         |
| MAX1821XEBC* | 13              | Programmable   | -40°C to +85°C | 3 × 4 UCSP  | AAV       |
| MAX1821XEUB  | 13              | Programmable   | -40°C to +85°C | 10 μMAX     | —         |

\*UCSP reliability is integrally linked to the user's assembly methods, circuit board material, and environment. Refer to the UCSP Reliability Notice in the UCSP Reliability section for more information.

## Typical Operating Circuits (continued)



## Pin Configurations





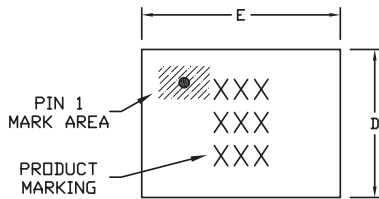
# WCDMA Cellular Phone 600mA Buck Regulators

## Package Information

(The package drawing(s) in this data sheet may not reflect the most current specifications. For the latest package outline information, go to [www.maxim-ic.com/packages](http://www.maxim-ic.com/packages).)

MAX1820/MAX1821

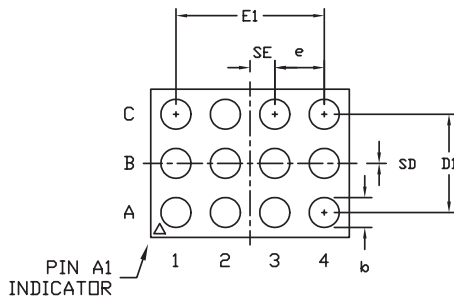
12L, UCSP 4x3.EPS



TOP VIEW

| COMMON DIMENSIONS |                |
|-------------------|----------------|
| A                 | 0.62±0.05-0.08 |
| A1                | 0.29±0.02      |
| A2                | 0.33 REF.      |
| b                 | ∅0.35±0.03     |
| D1                | 1.00 BASIC     |
| E1                | 1.50 BASIC     |
| e                 | 0.50 BASIC     |
| SD                | 0.00 BASIC     |
| SE                | 0.25 BASIC     |

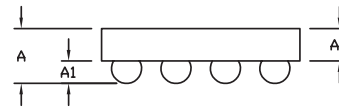
| PKG. CODE | VARIABLE DIMENSIONS |           | DEPOPULATED SOLDER BALLS |
|-----------|---------------------|-----------|--------------------------|
|           | D                   | E         |                          |
| B12-1     | 1.54±0.05           | 2.02±0.05 | NONE                     |
| B12-2     | 1.54±0.05           | 2.02±0.05 | B3                       |
| B12-3     | 1.54±0.05           | 2.12±0.05 | NONE                     |
| B12-4     | 1.54±0.05           | 2.02±0.05 | B2, B3                   |
| B12-5     | 1.64±0.05           | 2.12±0.05 | B2                       |
| B12-6     | 1.64±0.05           | 2.12±0.05 | B3                       |
| B12-7     | 1.54±0.05           | 2.02±0.05 | B1, B3                   |
| B12-8     | 1.54±0.05           | 2.02±0.05 | B2                       |
| B12-9     | 1.54±0.05           | 2.12±0.05 | B2, B3                   |
| B12-10    | 1.54±0.05           | 2.02±0.05 | B1, B2, B3, B4           |
| B12-11    | 1.54±0.05           | 2.02±0.05 | A2, C3                   |



BOTTOM VIEW

NOTES:

1. ALL DIMENSIONS ARE IN MILLIMETERS.
2. PRODUCT MARKING: NUMBER OF CHARACTERS AND LINES VARY PER PRODUCT.



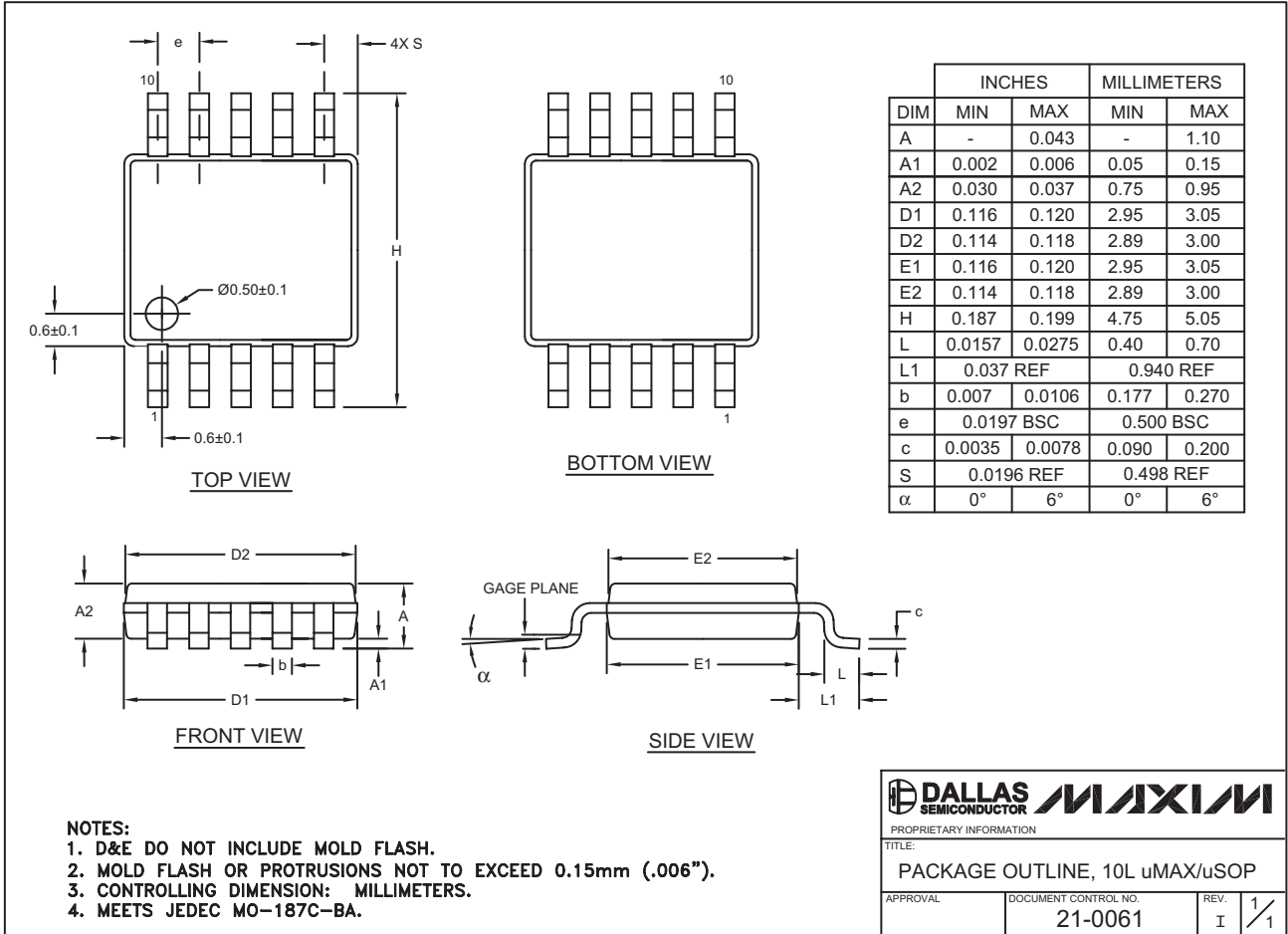
SIDE VIEW

|   |  |                              |
|---|--|------------------------------|
|   |  |                              |
| <small>PROPRIETARY INFORMATION</small>            |  |                              |
| <small>TITLE</small><br>PACKAGE OUTLINE, 4x3 UCSP |  |                              |
| <small>APPROVAL</small>                           | <small>DOCUMENT CONTROL NO.</small><br>21-0104 | <small>REV.</small><br>F 1/1 |

# WCDMA Cellular Phone 600mA Buck Regulators

## Package Information (continued)

(The package drawing(s) in this data sheet may not reflect the most current specifications. For the latest package outline information, go to [www.maxim-ic.com/packages](http://www.maxim-ic.com/packages).)



10LUMAXEFS

Maxim cannot assume responsibility for use of any circuitry other than circuitry entirely embodied in a Maxim product. No circuit patent licenses are implied. Maxim reserves the right to change the circuitry and specifications without notice at any time.

18 Maxim Integrated Products, 120 San Gabriel Drive, Sunnyvale, CA 94086 408-737-7600